



# C.R.O.S.S.

## Coolant Recovery Oil Separation System

The C.R.O.S.S. Unit was developed for shops having machine tools with individual coolant reservoirs.

C.R.O.S.S. is used in conjunction with a portable sump cleaner/filter that is used on a regular basis to remove contaminated coolant and all swarf, chips and sludge from the coolant reservoir.

The C.R.O.S.S. Unit is furnished in startup condition, needing only electrical hook up and water supply for the coolant proportioner.

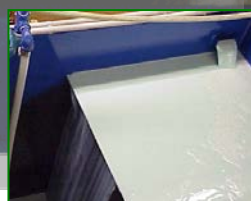
The C.R.O.S.S. is manufactured from mild coated steel and other high-grade material suited for industrial applications.

### Economical, Field Proven Performance

- Removes tramp oil to less than ¼ of 1% by volume
- Removes suspended solids to acceptable levels
- Coolant proportioner replaces fluid lost due to evaporation or spillage
- Separated oils can be sold or reused
- Standard systems process up to 900 gallons per hour
- Automatic operation
- Compact, self contained

### Total Effectiveness

- Reduces waste disposal cost by 85% to 90%
- Reduces new fluid purchases by 45% to 80%
- System pay back is typically 3 to 9 months
- User friendly



Clean Fresh Coolant



Tramp Oil Removal



# EdjeTech

Increasing Production Through Waste Minimization

**Edjean Technical Services, Inc.**  
246 US HWY 224, STE A  
Sullivan, OH 44880

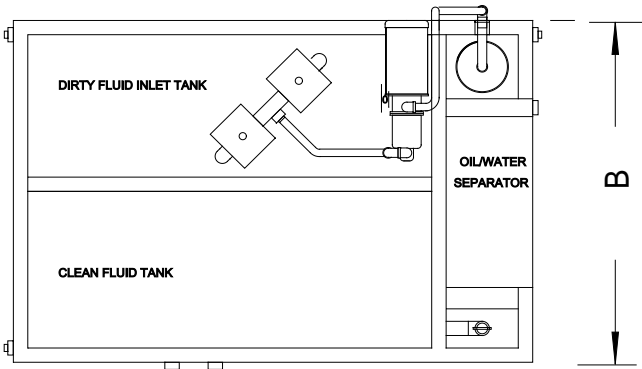
**Ph. (800) 242-0525**

Fax (877) 806-2400

E-mail: [sales@edjetech.com](mailto:sales@edjetech.com)

Web site: [www.edjetech.com](http://www.edjetech.com)

# EdgeTech C.R.O.S.S. SYSTEM SPECIFICATIONS

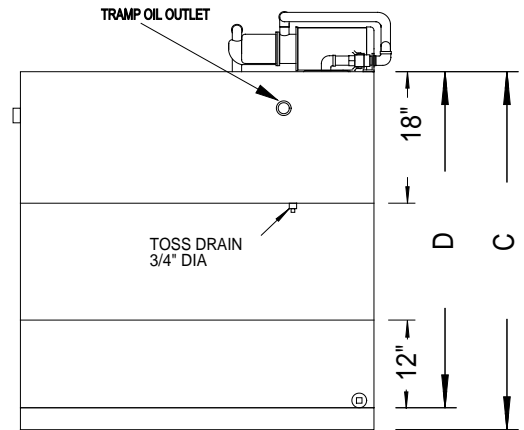
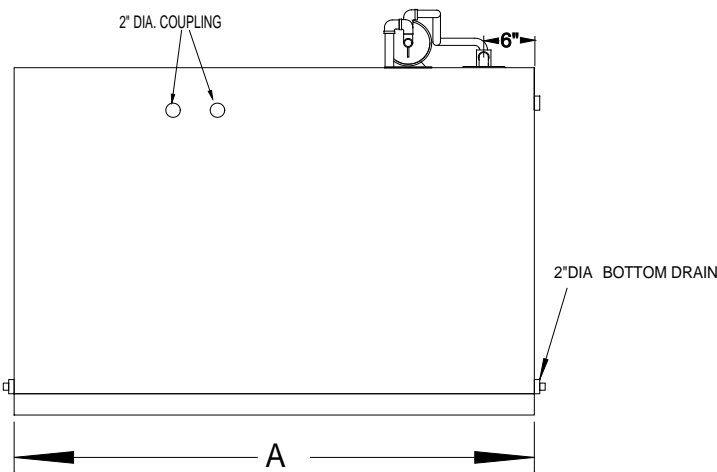


### System Features

- Carbon Steel Construction
- Chemical Resistant Paint
- Electric:
  - Single Phase on 250 & 450
  - Three Phase on 850 and up
- Proportioner: Piston Style
- Polypropylene Coalescing Media

### Options

- Pre filtration
- Clean Coolant Return System
- Electronic Refractometer



System	Flow Rate (GPM) (LPM)	Dirty Tank (Gallons) (Liters)	Clean Tank (Gallons) (Liters)	A (inches) (cm)	B (inches) (cm)	C (inches) (cm)	D (inches) (cm)
250	2 7.6	130 492	120 454	60 152.4	42 106.7	39 99.1	36 91.4
450	5 28.9	250 946	200 757	72 182.8	48 121.9	49 124.5	46 116.8
850	10 37.8	450 1703	400 1514	120 304.8	48 121.9	53 134.6	50 127
1200	15 56.8	600 2271	600 2271	132 335.3	60 152.4	57 144.8	54 137.2
2200	25 94.6	1100 4164	1100 4164	168 426.7	96 243.8	64 162.6	58 147.3